

INPRESS FROSTED SQ



SPECIFICATION

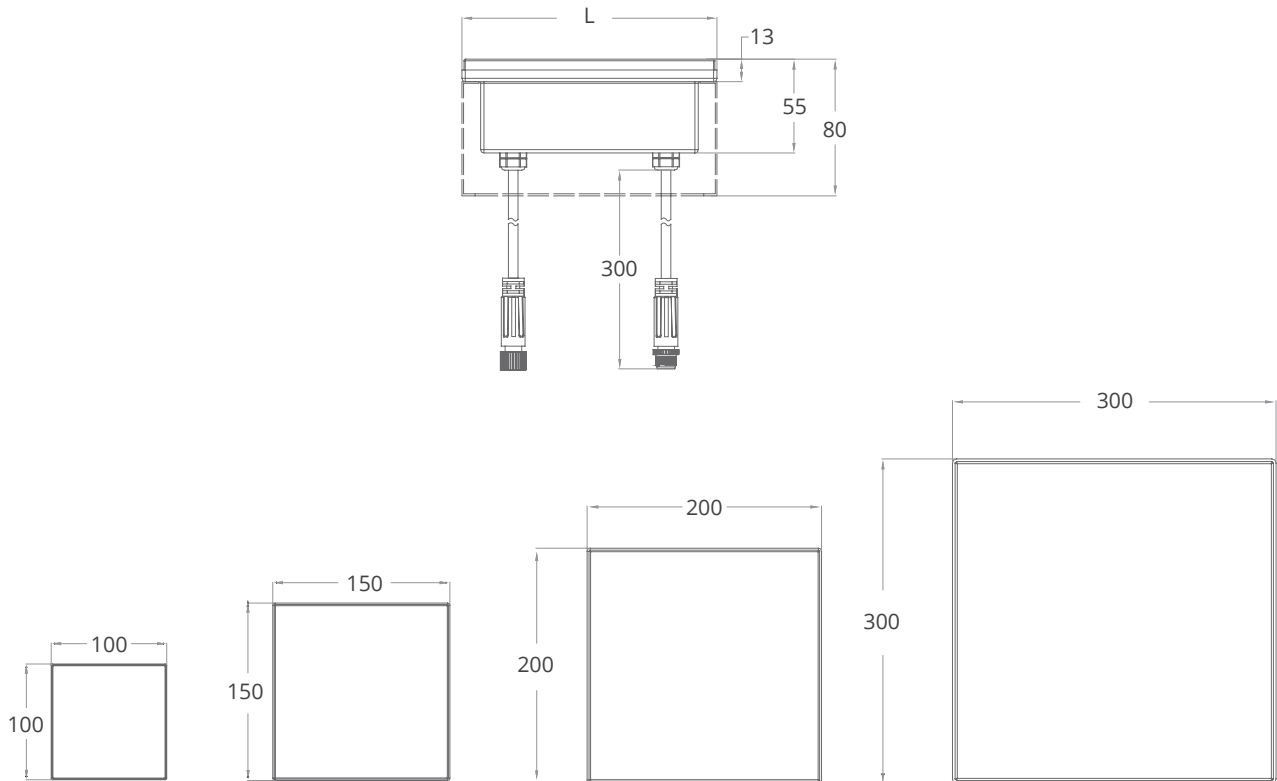
MODEL	UNDER WAVE INPRESS FROSTED SQ
OPERATING VOLTAGE	12V DC, 24V DC
POWER CONSUMPTION	3W/ 100*100mm, 4W/150*150mm, 5W/200*200mm, 10W/300*300mm
LED TYPE	SMD
COLOUR TEMP OPTION	2700K, 3000K, 4000K, 5000K Tunable White, RGB, RGBW
CRI	80min
PRODUCT EFFICIENCY	45lm/W@3000K
FULL WIDTH AT HALF MAXIMUM (OPTICS)	120°
MATERIAL	Stainless Steel + Tempered Glass
AMBIENT OPERATING TEMPERATURE	-20°C ~ +55°C
LUMEN MAINTENANCE	50,000 hours/L70 at 25°C
DIMENSIONS	200(L)*200(W)*55(H)mm 100mm*100mm/150mm*150mm/300mm*300mm/ETO available
CABLE LENGTH	300mm
CONTROL SYSTEM	ON/OFF, ON/OFF By Gravity, DMX/RDM, 0-10V Dim
IP RATING	IP67
IK RATING	IK10

FEATURES & OPTIONS



- | | |
|----------|-------------------|
| 01. CW | 08. IK10 |
| 02. NW | 09. ANTI-SALINE |
| 03. WW | 10. POLAR |
| 04. DW | 11. DMX |
| 05. RGB | 12. RFU |
| 06. RGBW | 13. RDM |
| 07. IP67 | 14. WIRELESS DATA |

DIMENSIONS



*all units are in mm

OPTIC SELECTION



120°

LED	Lumens	Watts	Efficacy
WHITE	169.90	4.70	36.15

CenterBeamLux	Illuminance at Distance
445.23 lx	0.3 m
104.36 lx	0.7 m
49.23 lx	1.0 m
24.56 lx	1.3 m
17.64 lx	1.7 m
12.83 lx	2.0 m

2700K

■ Ver. Spread: 121.3° ■ Horiz. Spread: 121.2°



120°

LED	Lumens	Watts	Efficacy
WHITE	207.80	4.60	45.23

CenterBeamLux	Illuminance at Distance
545.23 lx	0.3 m
181.27 lx	0.7 m
62.48 lx	1.0 m
30.47 lx	1.3 m
22.24 lx	1.7 m
16.43 lx	2.0 m

3000K

■ Ver. Spread: 123.9° ■ Horiz. Spread: 122.2°